

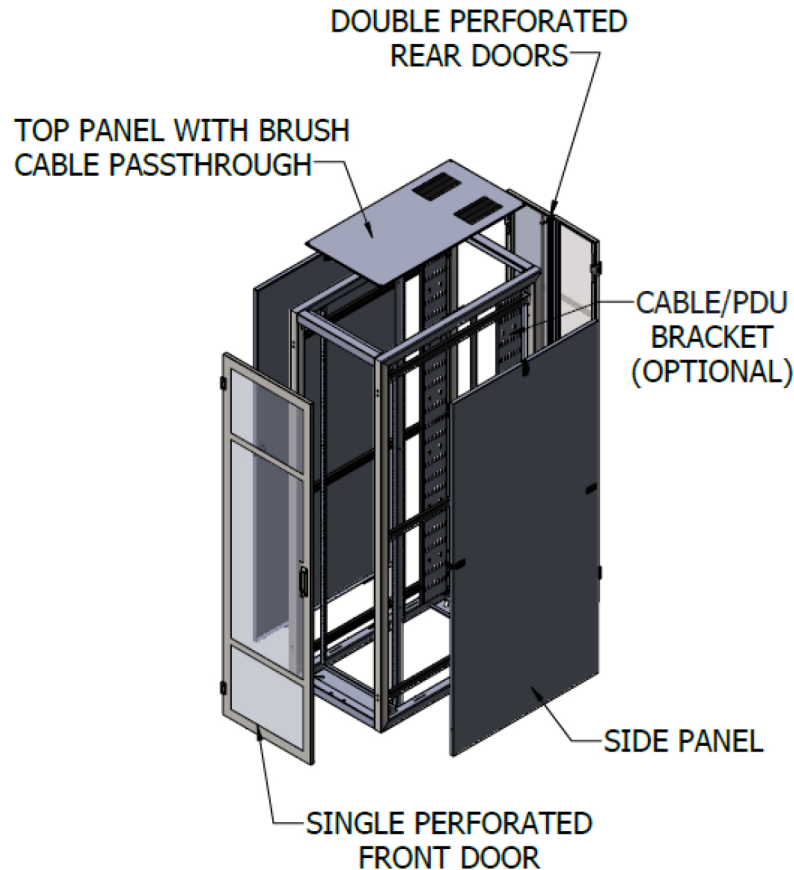
GR-63  
Zone 4

# XTDS Series Seismic Zone 4 Cabinet



# XTDS Ordering Information

Configuration															
	COLOR		HEIGHT	WIDTH	DEPTH	RAIL		FRONT DOOR		REAR DOOR		TOP PANEL		SIDE PANEL	
5570-	BK	Black	45	24	32	T	Tapped	N	None	N	None	N	None	N	None
	WH	White	48	28	42	S	Square Punched	S	Single	S	Single	A	4 Brush	1	1 Side
				30	48			D	Double	D	Double	B	Full Length Brush	2	2 Sides



## SPECIFICATIONS

- Heavy gauge welded steel tube frame
- Includes two sets of painted L-shaped rack angles with holes per EIA spacing (5/8 in. x 5/8 in. x 1/2 in.)
- Holes are either 12-24 tapped or square, depending on model
- Top has two cable entry ports for cable entry
- Doors and panels electrically bonded to the cabinet frame

## INDUSTRY STANDARDS

NEBS-Telcordia GR-63-CORE Zone 4: Tested with 1000 lb. (453.6kg) of equipment installed and 100 lb. (45.4 kg) of simulated cable weight on the top. EIA 310-D

## LOAD RATING

Dynamic: 1600 lb. (725 kg)

Static: 3500 lb. (1587 kg)

For higher loads, contact RXL. Static load has a safety factor of 4 applied.

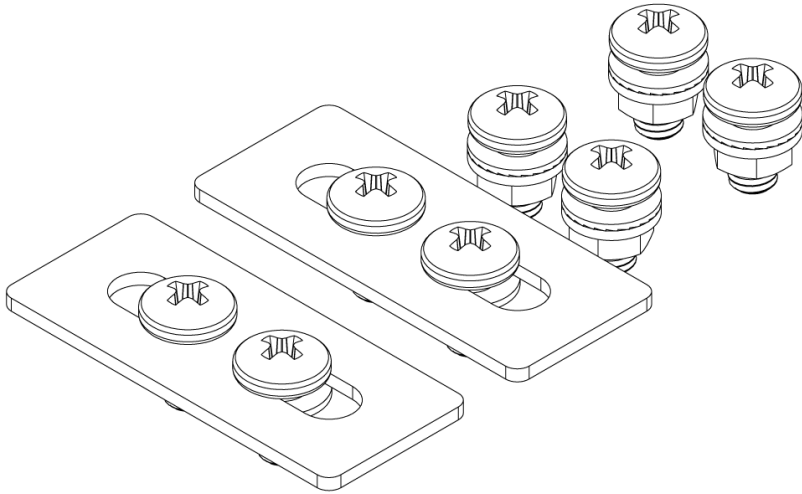


# Accessories

## Baying Kit

### RXL-5560

This Kit includes 3/8-16 hardware to secure the cabinets at the top corners.



Configuration	Color
RXL-5560-BK	Black
RXL-5560-WH	White

## PDU/Cable Lacing Bracket

### RXL-5576

This PDU bracket is dual functioned and can be used as a PDU bracket and also a cable lacing bracket to secure your cables with the use of Velcro straps or zip ties.



Configuration	Height (RU)	Width (in)
RXL-5576-XX4502	45	2"
RXL-5576-XX4505	45	5"
RXL-5576-XX4802	48	2"
RXL-5576-XX4805	48	5"





## Ring Cable Manager RXL-5575

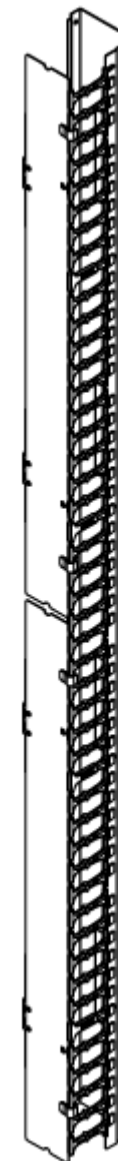
Configuration	RU
RXL-5575-BK45	45
RXL-5575-BK48	48

This ring cable manager mounts to the depth rails and is rear facing. Use Velcro or the smooth plastic rings included to keep your bundle of cable neat and organized.

## Trough Cable Manager RXL-5539S

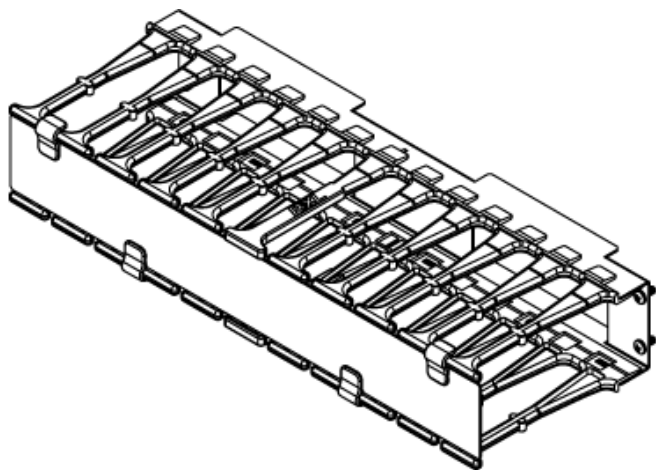
The trough Cable manager is designed to provide privacy and protection for your cables. This cable manager does not fit the 24" wide configuration

Configuration	Height	Color
RXL-5539-BK4530	45U	Black
RXL-5539-WH4530	45U	White
RXL-5539-BK4830	48U	Black
RXL-5539-WH4830	48U	White



## Horizontal Cable Manager RXL-3010

Configuration	Height	Fingers
RXL-3010-BK1S	1U	Short
RXL-3010-BK1L	1U	Long
RXL-3010-BK2S	2U	Short
RXL-3010-BK2L	2U	Long



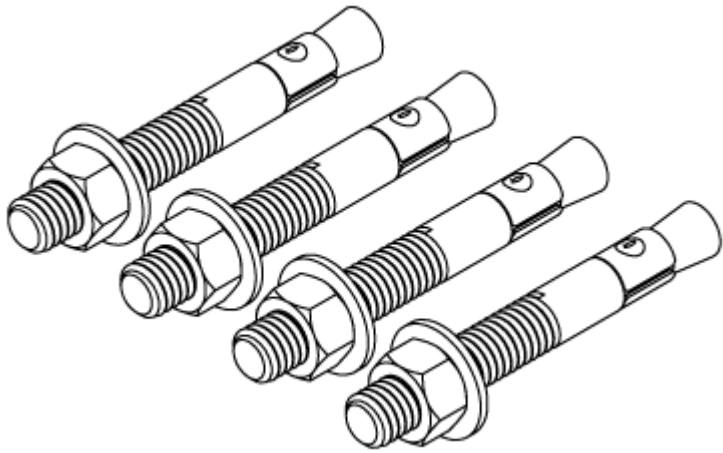
## Snap in Blanking Panels RXL-2033

Configuration	Height	Color
RXL-2033-BK01	1U	Black
RXL-2033-BK02	2U	White
RXL-2033-WH01	1U	Black
RXL-2033-WH02	2U	White



## Rack Anchor Kit RXL-2038

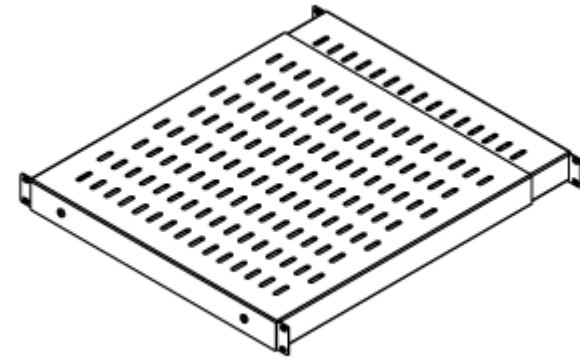
Configuration	Diameter	Length
RXL-2038-CZ38	3/8-16	3"
RXL-2038-CZ12	1/2-13	3"



## Fixed Equipment Shelf RXL-2454

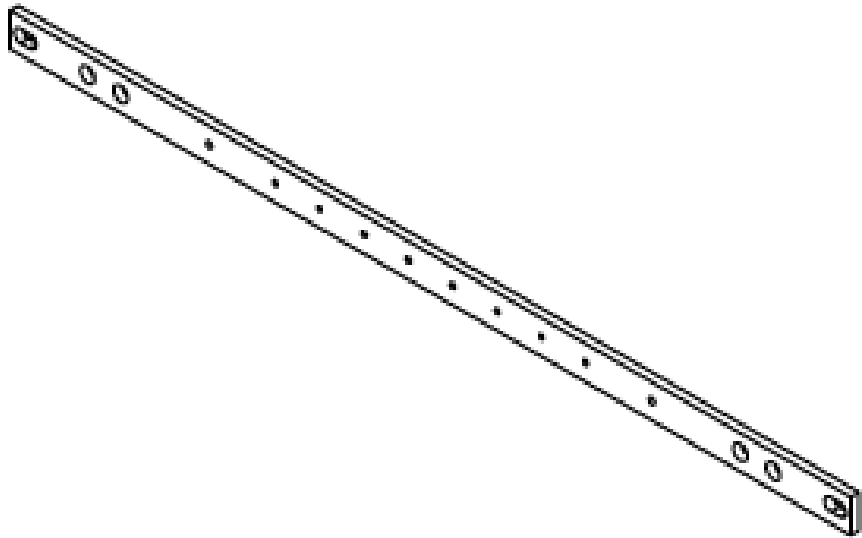
This shelf is fixed to the rails but has depth adjustability ranging from 12" to 44". Holds up to 150 lbs

Configuration	Height	Depth range
RXL-2454-BK12	1U	12-20"
RXL-2454-BK18	1U	18-32"
RXL-2454-BK24	1U	24-44"



## Horizontal 19" Rack Grounding Bar RXL-9041

Configuration	Width	Metal
RXL-9041-019	19"	Copper



## LED Light Bar RXL-5001

This LED Light Bar kit is sold in pairs. Each light is magnetic and comes with adhesive if necessary. The lights have 3 modes, continuous on, off, and motion sensor

Configuration	Length	Qty
RXL-5001-WH	12"	2

